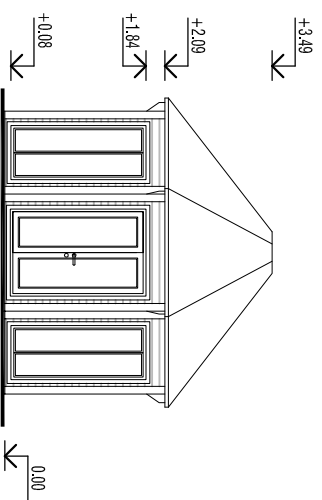
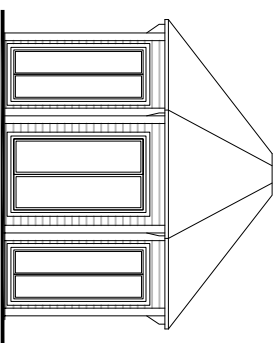


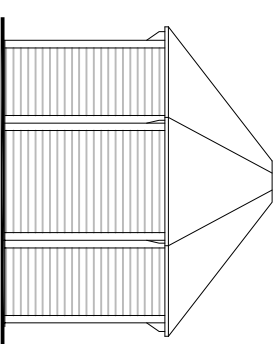
**ELEVATION a**



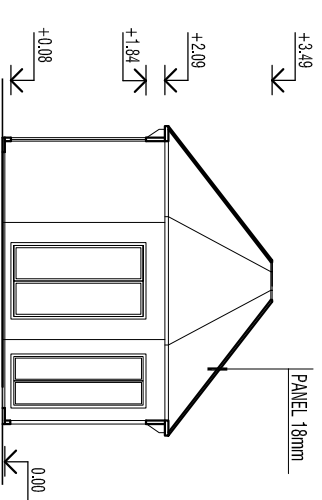
**ELEVATION b**



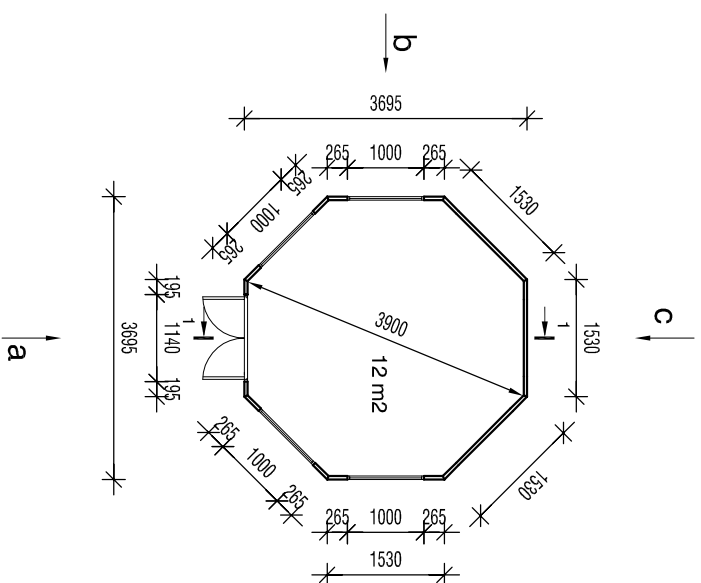
**ELEVATION c**



**CROSS SECTION 1-1**



**FLOOR PLAN**



FIRST FLOOR HEIGHT APPOINTMENT OF A CONSTRUCTION SITE  
FIRST FLOOR +0.00

1. ROOFING COLOUR

2. WALL PANEL COLOUR

MUNICIPALITY / VILLAGE	PROPERTY	—	ROTUND	—
STAGE	NEW CONSTRUCTION	SHEET NAME	THE MAIN DRAWING	
BUILDING ADDRESS		DRAWINGS	ELEVATION a, b, c CROSS SECTION 1-1 FLOOR PLAN	
PROJECT INFORMATION COMPILED	PEETER AUNAPU 22.08.2019 construction engineer	DRAWING NUMBER WORK NUMBER	Af 2208/19-en	
		SCALE	1 : 100	
		MODIFICATION		