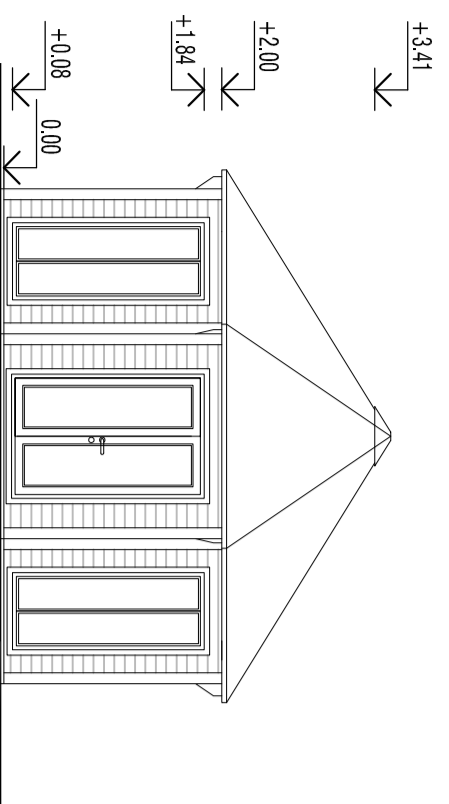
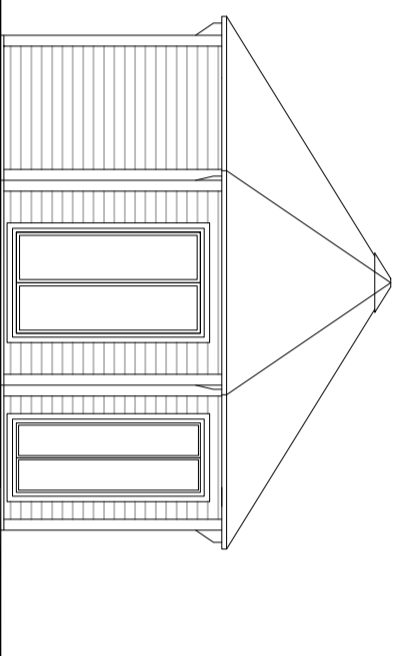


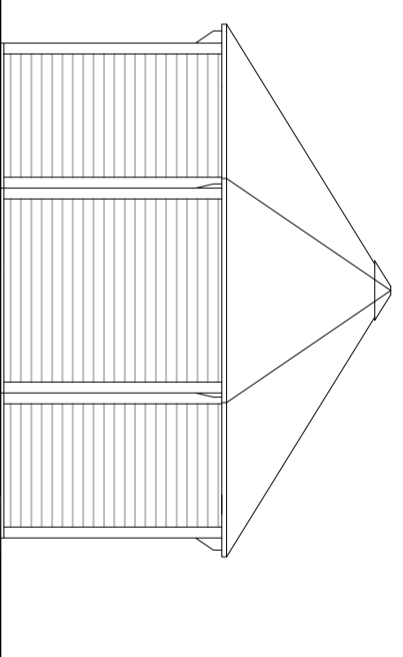
### ELEVATION a



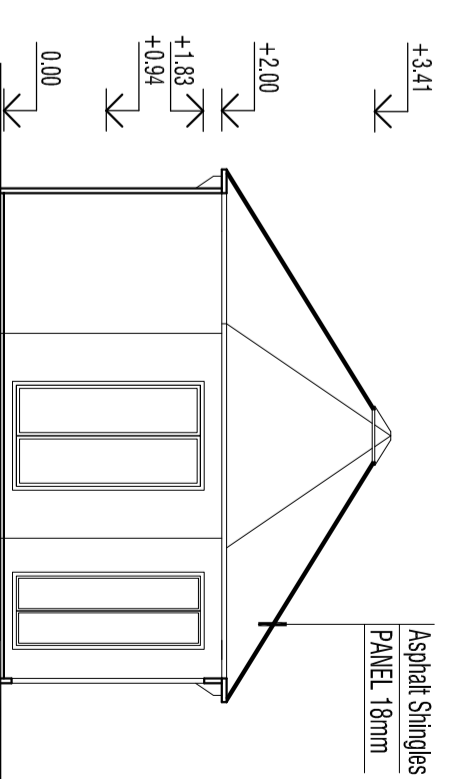
### ELEVATION b



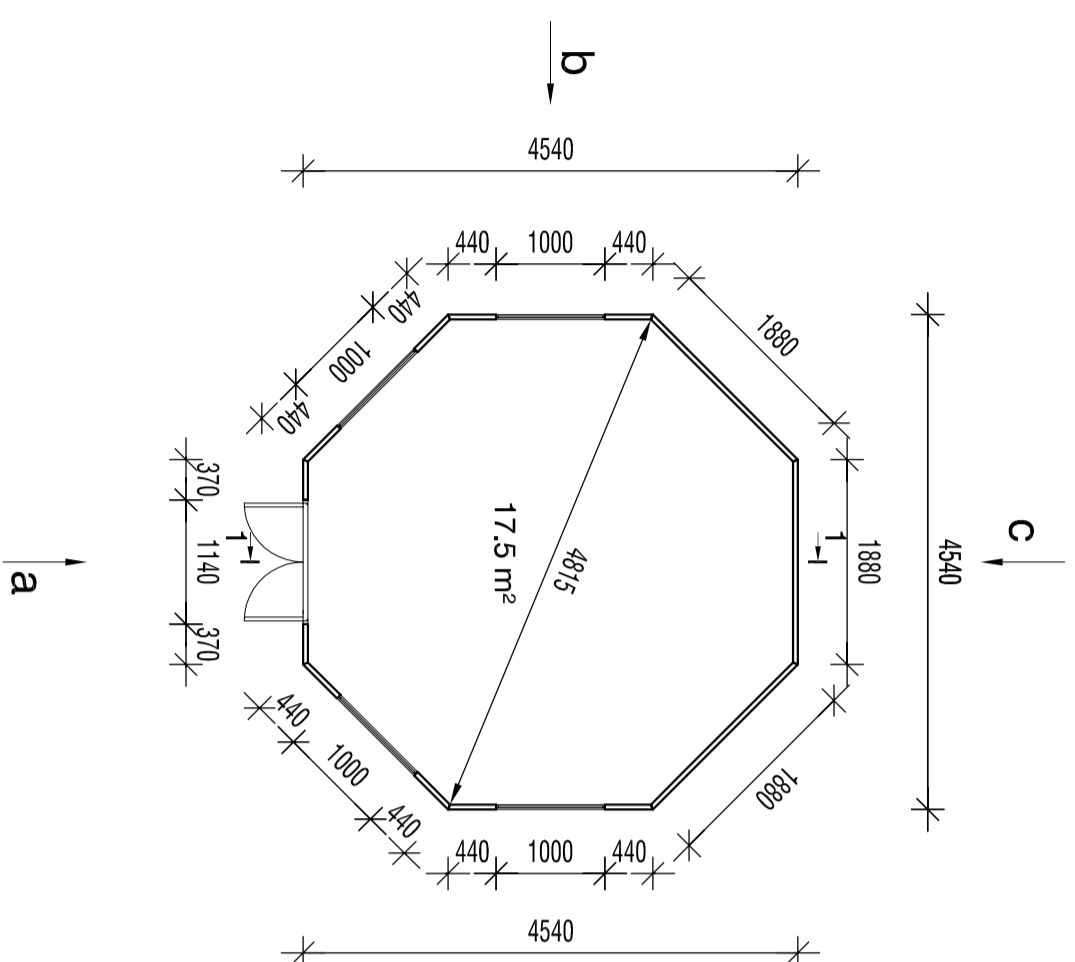
### ELEVATION c



### CROSS SECTION 1-1



### FLOOR PLAN



FIRST FLOOR HEIGHT APPOINTMENT OF A CONSTRUCTION SITE  
FIRST FLOOR +0.00

- 1. ROOFING CLOUR
- 2. WALL PANEL COLOUR

MUNICIPALITY / VILLAGE	PROPERTY	— GRILL HOUSE —	
STAGE	NEW CONSTRUCTION	SHEET NAME	THE MAIN DRAWING
BUILDING ADDRESS		SCALE	1 : 100
PROJECT INFORMATION COMPLETED	PEETER AUNAPU 29.08.2019 construction engineer	DRAWING NUMBER WORK NUMBER	Af 2908/19-en
		SHEET.n:0	1
		MODIFICATION	